

Little GIANT[®] Pump Company

1 - ABS



Features

- Permanently lubricated
- Epoxy coated cast aluminum housing
- Automatic, in-pan design
- 1/4" MNPT discharge
- 10' max lift
- 6' power cord

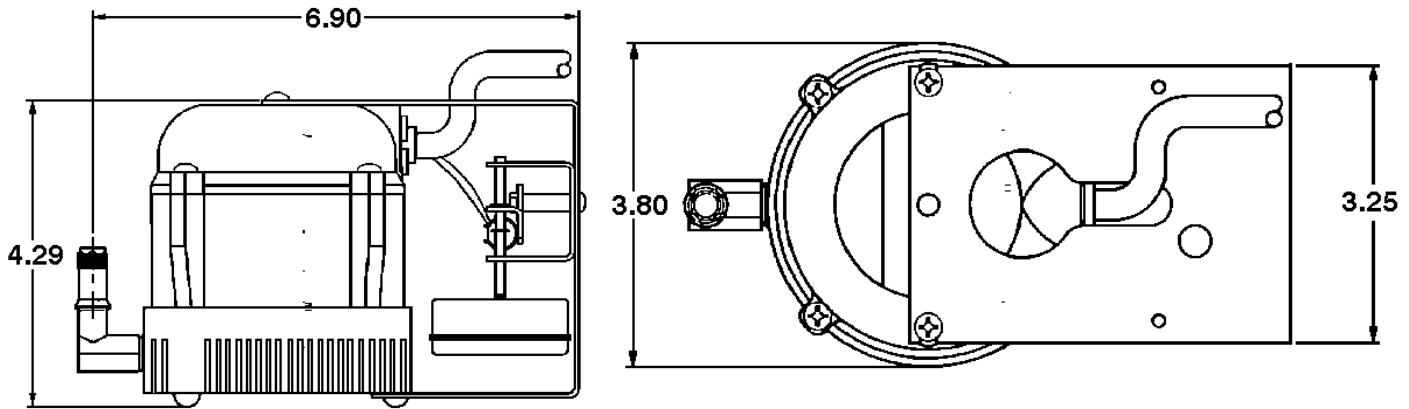
Construction

- Motor — 1/150 HP
- Intermittent Liquid Temp. up to — 120° F
- Intake — N/A
- Discharge — 1/4" MNPT
- Housing — Epoxy coated cast aluminum
- Cover — Epoxy coated cast aluminum
- Volute — Nylon
- Impeller — Nylon
- Shaft Seal — Nitrile
- Screen — Polyethylene

Shallow pan automatic condensate removal pump that features an "on" level in 1" of water and "off" level in 1/2" of water. The pump is permanently lubricated and designed to maximize heat dissipation. This model is ideal for in-pan placement for condensate removal.

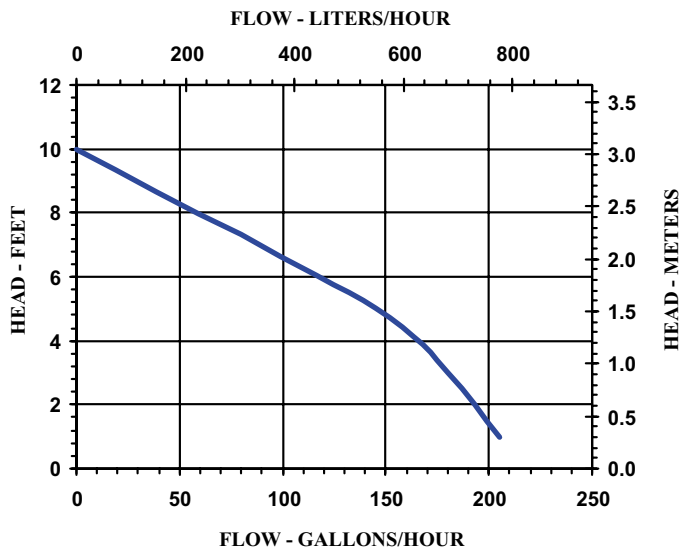
Little Giant Pump Co.

1-ABS



Specifications

| Model No. | Item No. | Discharge Size | Listing(s) | HP | Volts | Hertz | Amps | Watts | Performance (GPH @ Head) | | | | Shut Off | | Pwr. Cord (ft) | Weight (Lbs.) |
|-----------|----------|----------------|------------|-------|-------|-------|------|-------|--------------------------|-----|-----|-----|----------|-----|----------------|---------------|
| | | | | | | | | | 1' | 3' | 5' | 10' | Feet | PSI | | |
| 1-ABS | 550515 | 1/4" MNPT | | 1/150 | 115 | 60 | 1.1 | 70 | 205 | 180 | 145 | 0 | 10 | 4.3 | 6 | 4.33 |
| 1-ABS | 550525 | 1/4" MNPT | | 1/150 | 230 | 50/60 | 0.6 | 70 | 205 | 180 | 145 | 0 | 10 | 4.3 | 6 | 4.33 |



Replacement Parts

| | |
|-----------|--------|
| Volute | 116335 |
| Impeller | 116437 |
| Seal Ring | 928007 |
| Screen | 101901 |

Little Giant Pump Co.

PO Box 12010
Okla. City, OK 73157

Phone: 405.947.2511
Fax: 405.951.5674

www.LittleGiantPump.com

Form No. 995120 - 12/00